

Specifications:

Material And Finish:

Insulator:PBT UL94V-0 Color:Black
 Contact:Brass
 Plated:See Ordering Information

Rating:

Current Rating:10.0 Amp(16AWG)
 Voltage Rating:250V AC/DC
 Operating Temperature Range:-40°~+105°C

Electrical:

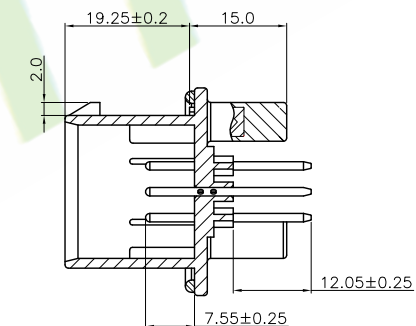
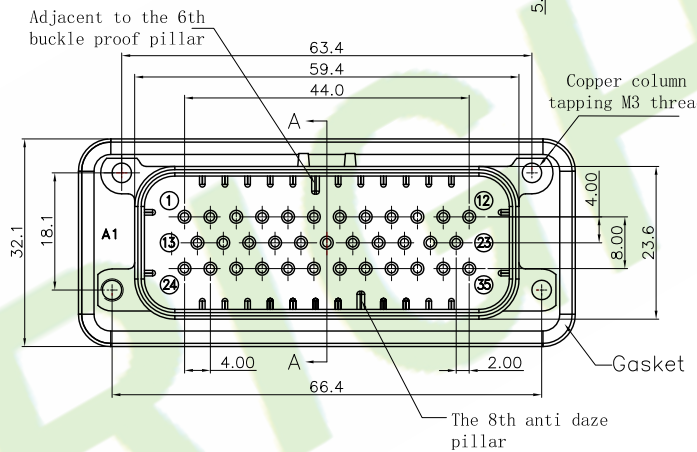
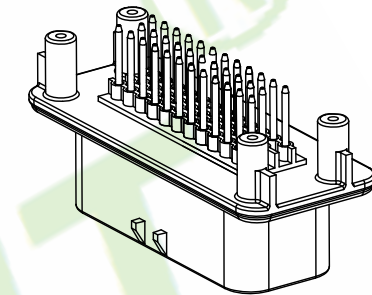
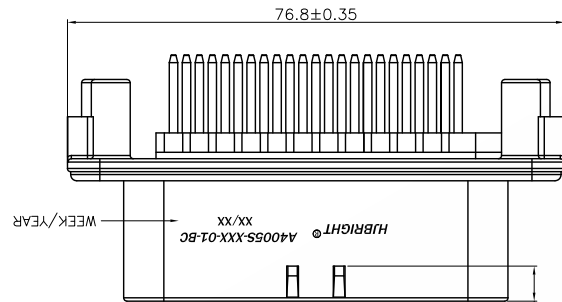
Contact resistance:10m Ohm Max
 Insulator resistance:100M ohm min.
 Withstanding Voltage:1000V AC/Minute

Ordering Information

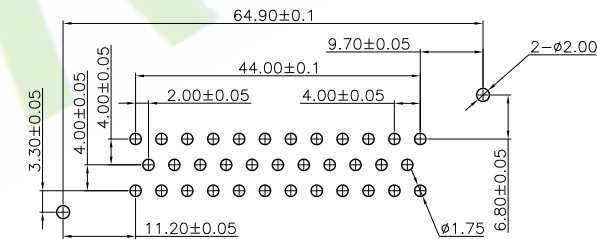
A400005S-35X-01-BC

1 2 3 4 5 6

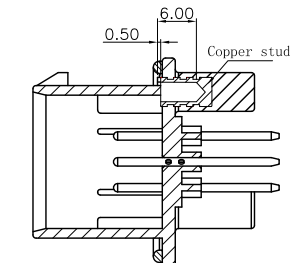
- 1: — Series No.
- 2: — S: Straight Type
- 3: — No. of Positions
- 4: — A: Gold Flash
 H: Gold Flash on Contact; Matte Tin on tail
 Q: Tin Plated
 S: Matte Tin Plated
- 5: — B: With screw bolt
- 6: — C: In Tray



SEC: A-A



Recommended PCB Layout



Reference Drawing for Embedded Depth of Studs

5X				DR.BY.: Kenry	GENERAL TOLERANCE:		PART NO : A400005S-35X-01-BC		HJBRIGHT 東莞市華晶電子有限公司 BRIGHT-E ELECTRONIC TECHNOLOGY LIMITED
4X				CHKD.: Tony	LINEAR	ANGLES	DWG. NO.:		
3X				APPD.: Billy	X.: ±0.30	X': ±5.0°	TITLE : 4.00mm Pitch Header Assembly, Straight Type, With screw bolt		SHEET: 1/1
2X	Update code option	Deng	20230413		X.X: ±0.20	X.X': ±3.0°	DATE: 19-Jan-2015		SCALE: 1:1
1X	ORIGINAL	Kenry			X.XX: ±0.15	X.XX': ±2.0°			UNIT: mm
REV.	DESCRIPTION	DR.BY	ECN. NO.		X.XXX: ±0.10	X.XXX': ±1.0°			THIRD ANGLE PROJECTION

A4