

Specifications:

Material And Finish:

Insulator:PBT UL94V-0 Color:Black

Contact:Brass

Plated:See Ordering Information

Rating:

Current Rating:10.0 Amp (16AWG)

Voltage Rating:250V AC/DC

Operating Temperature Range:-40~+105°C

Electrical:

Contact resistance:10m Ohm Max

Insulator resistance:100M ohm min.

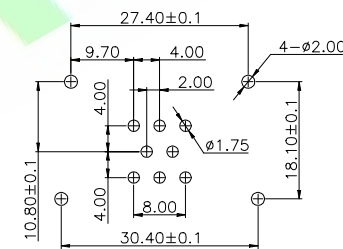
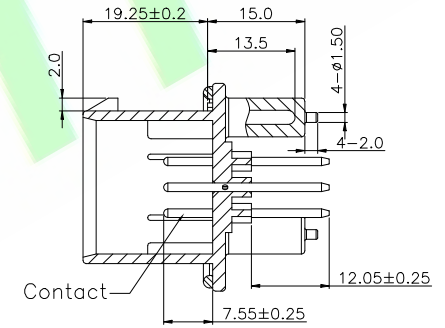
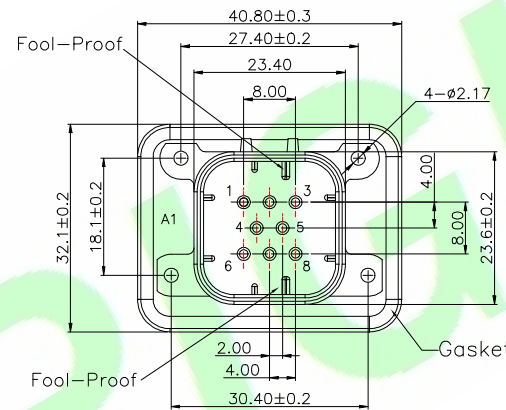
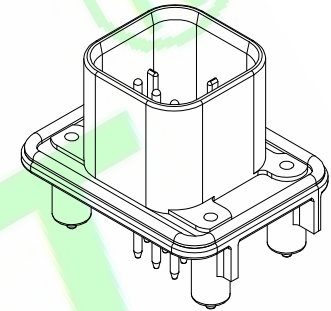
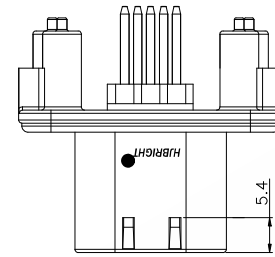
Withstanding Voltage:1000V AC/Minute

Ordering Information

A400005S-08X-01-C

1 2 3 4 5

- 1: — Series No.
- 2: — S: Straight Type
- 3: — No. of Positions
- 4: — A: Gold Flash
F: 20u" Gold on Contact; Gold Flash on all
G: 20u" Gold on Contact; Matte Tin on tail
H: Gold Flash on Contact; Matte Tin on tail
S: Matte Tin Plated
- 5: — C: In Tray



Recommended PCB Layout

5X				DR.BY.: Kenry	GENERAL TOLERANCE:		PART NO : A400005S-08X-01-C		HJBRIGHT [®] 東莞市華晶電子有限公司 BRIGHT-E ELECTRONIC TECHNOLOGY LIMITED
4X				CHKD.: Tony	LINEAR	ANGLES	DWG. NO.:		
3X	Update code option	Deng	20230411	APPD.: Billy	X.: ±0.30	X': ±5.0°	TITLE : 4.00mm Pitch Header Assembly, Straight Type		SHEET: 1/1
2X	Add plated code	Aaron	20190821		X.X: ±0.20	X.X': ±3.0°	DATE: 19-Jan-2015		SCALE: 1:1
1X	ORIGINAL	Kenry			X.XX: ±0.15	X.XX': ±2.0°			UNIT: mm
REV.	DESCRIPTION	DR.BY	ECN. NO.		X.XXX: ±0.10	X.XXX': ±1.0°			THIRD ANGLE PROJECTION